

## HBP/HBPS series – 4" horizontal booster pumps

The HBP/HBPS Series Booster Pumps are the most durable booster pumps available. The patented **SignaSeal™** floating impeller design minimizes thrust loads, allowing for continuous operation without damage to motor bearings, mechanical seal or pump hydraulic components.



### application

- Filtration and reverse osmosis
- Residential, commercial or agricultural pressure washing
- Booster and spray systems
- HVAC
- General purpose pumping
- Car wash

### specifications

Max. Inlet Pressure – 80 PSI

Max. Working Pressure – 315 PSI

Max. Suction Lift – 15 feet

Maximum Limits – Prolonged use with liquids above 140° F is not recommended

Discharge – HBP Series: cast iron  
HBPS Series: stainless steel

Motor Adapter and Base –  
HBP Series: cast iron  
HBPS Series: stainless steel

Shell – Stainless steel 304 grade

Impeller – Acetal

Diffuser – Polycarbonate

Shaft – Stainless steel 304 grade

O-Rings – Buna-N

Mechanical Seal – Carbon/ceramic,  
Buna-N

- ▶ **Patented Stage System** – The proven SignaSeal™ staging system utilizes a patented ceramic wear surface that, when incorporated with Aermotor's "true" independent floating impellers, dominates with 1st-in-class performance, superior sand handling and thrust management staging system
- ▶ **Acetal Impellers** – Precision-molded for perfect balance... ultra-smooth for highest performance and efficiency

- ▶ **Precision Molded Diffusers** – Superior performance with high resistance to corrosion and abrasion
- ▶ **Mechanical Shaft Seal** – Precision lapped and highly polished carbon-ceramic, stainless steel construction. Internal design guarantees continuous water lubrication.
- ▶ **Motor Windings** – Superior insulation materials protect against excessive moisture and contaminants... assure prolonged motor life
- ▶ **Balanced Rotor** – Die cast under high pressures for uniform performance and greater efficiency; dynamically balanced

- ▶ **Heavy-duty Ball Bearings** – Shielded, permanently lubricated bearings, extensively tested to ensure extended life and smooth, quiet operation
- ▶ **Pump and Motor Shaft** – Stainless steel for maximum corrosion resistance; one-piece threaded shaft for positive impeller drive
- ▶ **Dustproof Cover** – All electrical components are protected from dirt, dust and insects by a dustproof canopy; ventilating air cannot contaminate

### certification



HBPS Series is UL 778 Listed for Indoor/Outdoor use.

SignaSeal™ is a trademark of WICOR Industries.

## HBP/HBPS series – 4" horizontal booster pumps

### ordering information

| GPM | Catalog Number |                 | HP    | Phase | Stages | Pipe Tapping Sizes |        | Motor Voltage | Approx. Wt. (lbs.) |
|-----|----------------|-----------------|-------|-------|--------|--------------------|--------|---------------|--------------------|
|     | Cast Iron      | Stainless Steel |       |       |        | Inlet              | Outlet |               |                    |
| 7   | 7HBP50         | 7HBPS50         | 1/2   | 1     | 9      | 3/4"               | 3/4"   | 115/230       | 48                 |
|     | 7HBP75         | 7HBPS75         | 3/4   | 1     | 12     | 3/4"               | 3/4"   | 115/230       | 48                 |
|     | 7HBP100        | 7HBPS100        | 1     | 1     | 16     | 3/4"               | 3/4"   | 115/230       | 51                 |
| 10  | 10HBP50        | 10HBPS50        | 1/2   | 1     | 6      | 3/4"               | 3/4"   | 115/230       | 45                 |
|     | 10HBP75        | 10HBPS75        | 3/4   | 1     | 8      | 3/4"               | 3/4"   | 115/230       | 46                 |
|     | 10HBP100       | 10HBPS100       | 1     | 1     | 10     | 3/4"               | 3/4"   | 115/230       | 50                 |
|     | 10HBP150       | 10HBPS150       | 1-1/2 | 1     | 14     | 3/4"               | 3/4"   | 115/230*      | 58                 |
|     | 10HBP200       | 10HBPS200       | 2     | 1     | 16     | 3/4"               | 3/4"   | 115/230*      | 63                 |
| 20  | 20HBP100       | 20HBPS100       | 1     | 1     | 7      | 1"                 | 1"     | 115/230       | 49                 |
|     | 20HBP150       | 20HBPS150       | 1-1/2 | 1     | 9      | 1"                 | 1"     | 115/230*      | 57                 |
|     | 20HBP200       | 20HBPS200       | 2     | 1     | 11     | 1"                 | 1"     | 115/230*      | 62                 |
|     | 20HBP300       | 20HBPS300       | 3     | 1     | 15     | 1"                 | 1"     | 208-230       | 59                 |
| 30  | 30HBP100       | 30HBPS100       | 1     | 1     | 5      | 1-1/4"             | 1-1/4" | 115/230       | 47                 |
|     | 30HBP150       | 30HBPS150       | 1-1/2 | 1     | 6      | 1-1/4"             | 1-1/4" | 115/230*      | 54                 |
|     | 30HBP200       | 30HBPS200       | 2     | 1     | 7      | 1-1/4"             | 1-1/4" | 115/230*      | 57                 |
|     | 30HBP300       | 30HBPS300       | 3     | 1     | 11     | 1-1/4"             | 1-1/4" | 208-230       | 59                 |

Note: ODP motor is standard, for TEFC motors, contact Customer Service.

\*HBPS models 230V only.

### ordering information – accessories\*

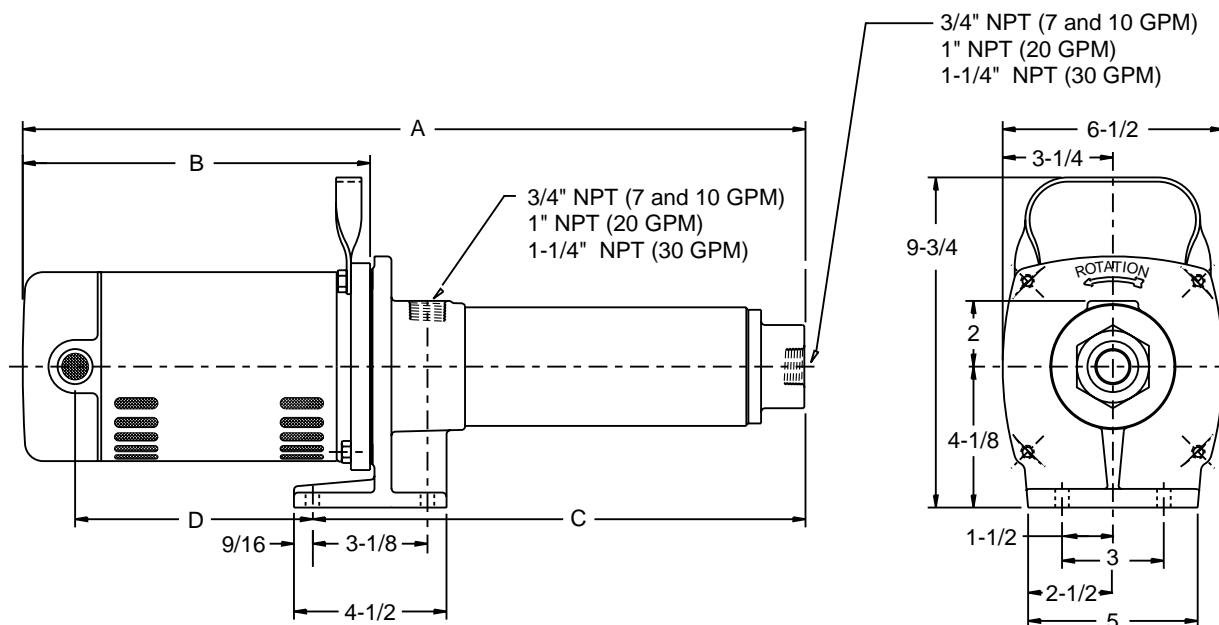
| Pkg. No.                        | Description   | Approx. Wt. Lbs. |
|---------------------------------|---|------------------|
| <b>SUCTION</b>                  |   |                  |
| 83                              | Suction hose – 3/4" 150 PSI hose, 6 ft. section with two (2) female hose fittings             | 3                |
| 85                              | Two (2) garden hose/NPT adapters – 3/4" NPT male to 3/4" garden hose male                     | 3                |
| 96                              | Vacuum relief valve – 1/2" NPT  | 2                |
| <b>150 PSI RATED* DISCHARGE</b> |   |                  |
| 84                              | Discharge hose – 3/4" 150 PSI hose, 25 ft. section with male and female garden hose fittings  | 10               |
| 86                              | High pressure pistol grip nozzle with three (3) nozzles (No. 56, 50 and 49)                   | 2                |
| <b>315 PSI RATED* DISCHARGE</b> |   |                  |
| 162                             | 25' of 1" ID hose with 3/4" male and female hose fittings 315 PSI rating                      | 15               |
| 194                             | High pressure pistol grip nozzle with three (3) nozzles (No. 56, 50 and 49) rated for 500 PSI | 2                |

\*To select proper discharge accessories for your pump, add incoming pressure to pump output pressure, to determine total discharge pressure.

**Example:** Incoming pressure 20 PSI + pump output pressure (7HBP50 at 0 GPM, 300')  
87 PSI = Total 150 PSI at discharge = 150 PSI rated discharge accessories

## HBP/HBPS series – 4" horizontal booster pumps

### outline dimensions



Dimensions (in inches) are for estimating purposes only.

### dimensional data

| Catalog Number   | HP    | A     | B     | C     | D     |
|------------------|-------|-------|-------|-------|-------|
| <b>CAST IRON</b> |       |       |       |       |       |
| 7HBP50           | 1/2   | 24.28 | 10.38 | 15.76 | 6.68  |
| 7HBP75           | 3/4   | 27.41 | 10.88 | 18.39 | 7.69  |
| 7HBP100          | 1     | 31.91 | 11.88 | 21.89 | 8.69  |
| 10HBP50          | 1/2   | 22.87 | 11.60 | 13.13 | 8.44  |
| 10HBP75          | 3/4   | 24.99 | 11.97 | 14.88 | 8.81  |
| 10HBP100         | 1     | 27.80 | 13.03 | 16.63 | 9.87  |
| 10HBP150         | 1-1/2 | 31.18 | 13.78 | 19.26 | 10.31 |
| 10HBP200         | 2     | 36.44 | 13.78 | 24.52 | 10.62 |
| 20HBP100         | 1     | 26.85 | 13.03 | 15.68 | 9.87  |
| 20HBP150         | 1-1/2 | 29.83 | 13.78 | 17.91 | 10.31 |
| 20HBP200         | 2     | 32.06 | 13.78 | 20.14 | 10.62 |
| 20HBP300         | 3     | 36.80 | 14.05 | 24.47 | 11.12 |
| 30HBP100         | 1     | 25.08 | 11.88 | 14.92 | 8.69  |
| 30HBP150         | 1-1/2 | 27.26 | 12.63 | 16.35 | 9.44  |
| 30HBP200         | 2     | 28.49 | 12.42 | 17.79 | 9.47  |
| 30HBP300         | 3     | 35.86 | 14.05 | 23.53 | 11.12 |

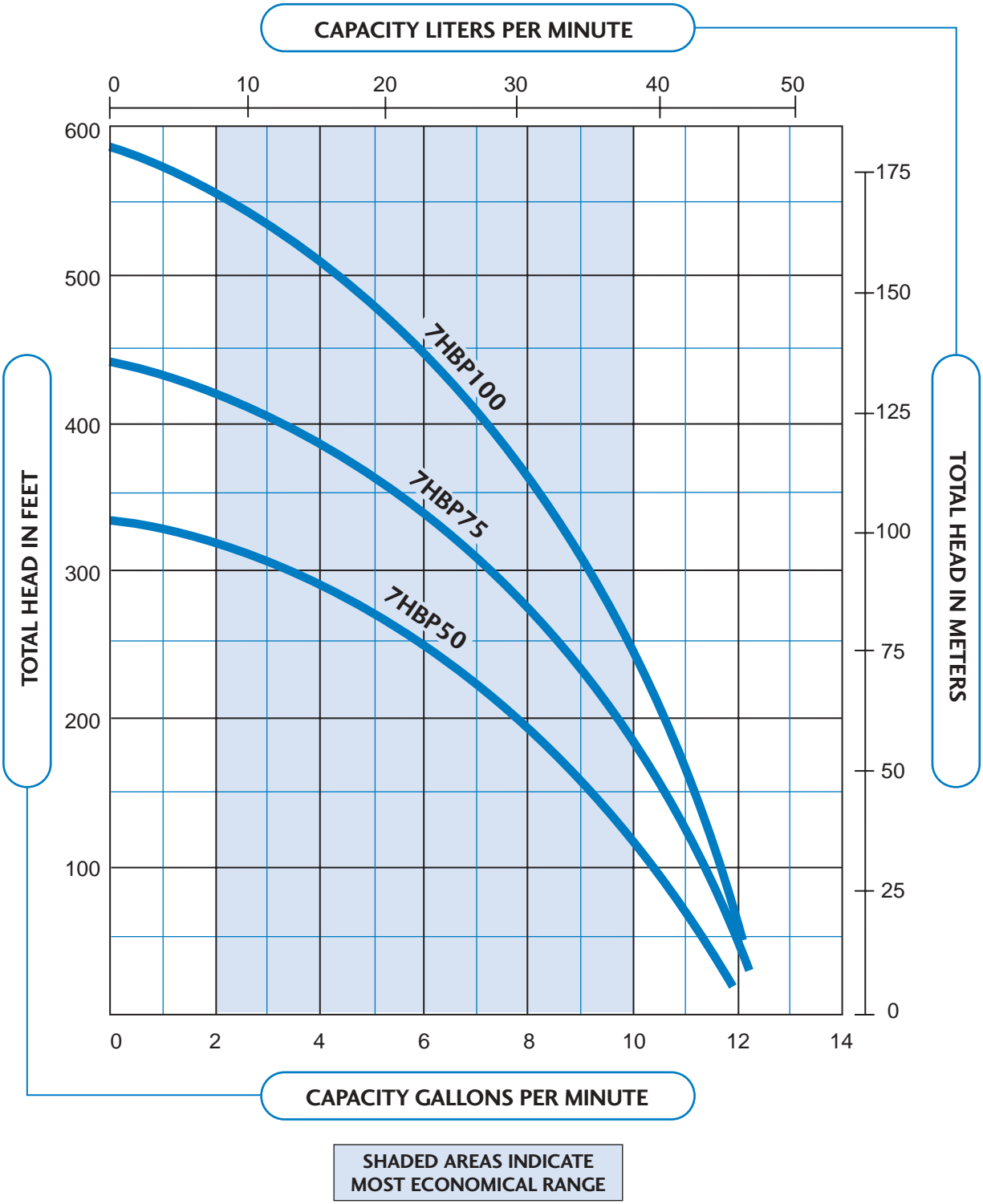
| Catalog Number         | HP    | A     | B     | C     | D     |
|------------------------|-------|-------|-------|-------|-------|
| <b>STAINLESS STEEL</b> |       |       |       |       |       |
| 7HBPS50                | 1/2   | 25.39 | 11.60 | 15.65 | 8.44  |
| 7HBPS75                | 3/4   | 28.36 | 11.97 | 18.25 | 8.81  |
| 7HBPS100               | 1     | 31.89 | 11.97 | 21.78 | 8.81  |
| 10HBPS50               | 1/2   | 22.76 | 11.60 | 13.02 | 8.44  |
| 10HBPS75               | 3/4   | 24.88 | 11.97 | 14.77 | 8.81  |
| 10HBPS100              | 1     | 27.69 | 13.03 | 16.52 | 9.87  |
| 10HBPS150              | 1-1/2 | 31.95 | 13.78 | 20.03 | 10.31 |
| 10HBPS200              | 2     | 33.70 | 13.78 | 21.78 | 10.62 |
| 20HBPS100              | 1     | 26.74 | 13.03 | 15.57 | 9.87  |
| 20HBPS150              | 1-1/2 | 29.72 | 13.78 | 17.80 | 10.31 |
| 20HBPS200              | 2     | 31.95 | 13.78 | 20.03 | 10.62 |
| 20HBPS300              | 3     | 36.80 | 14.05 | 24.47 | 11.12 |
| 30HBPS100              | 1     | 26.23 | 13.03 | 14.92 | 9.87  |
| 30HBPS150              | 1-1/2 | 28.10 | 13.47 | 16.35 | 10.31 |
| 30HBPS200              | 2     | 29.85 | 13.78 | 17.79 | 10.62 |
| 30HBPS300              | 3     | 35.86 | 14.05 | 23.53 | 11.12 |

# BOOSTER PUMPS



## HBP/HBPS series – 4" horizontal booster pumps

### 7 GPM pump performance

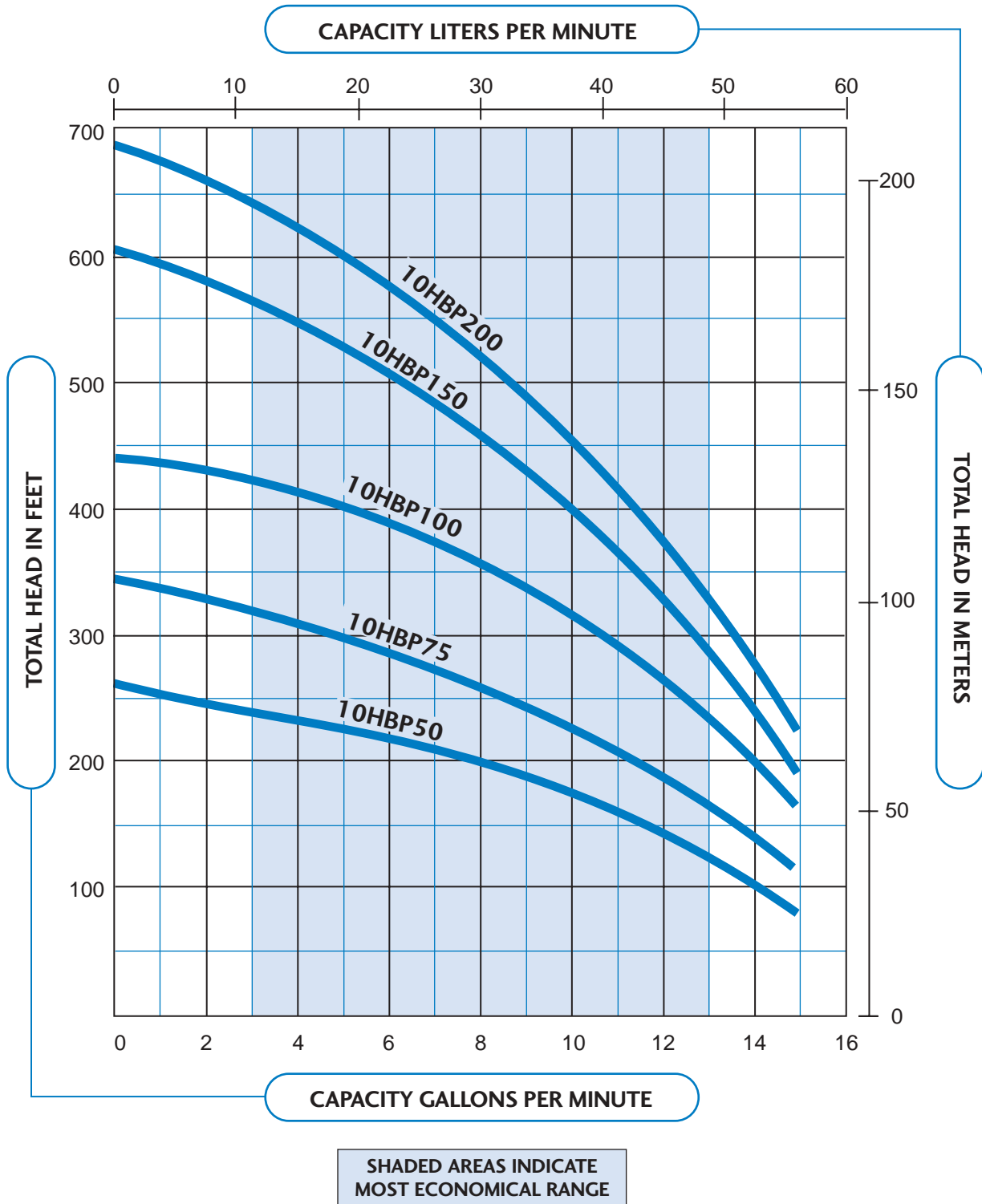


booster pumps

4

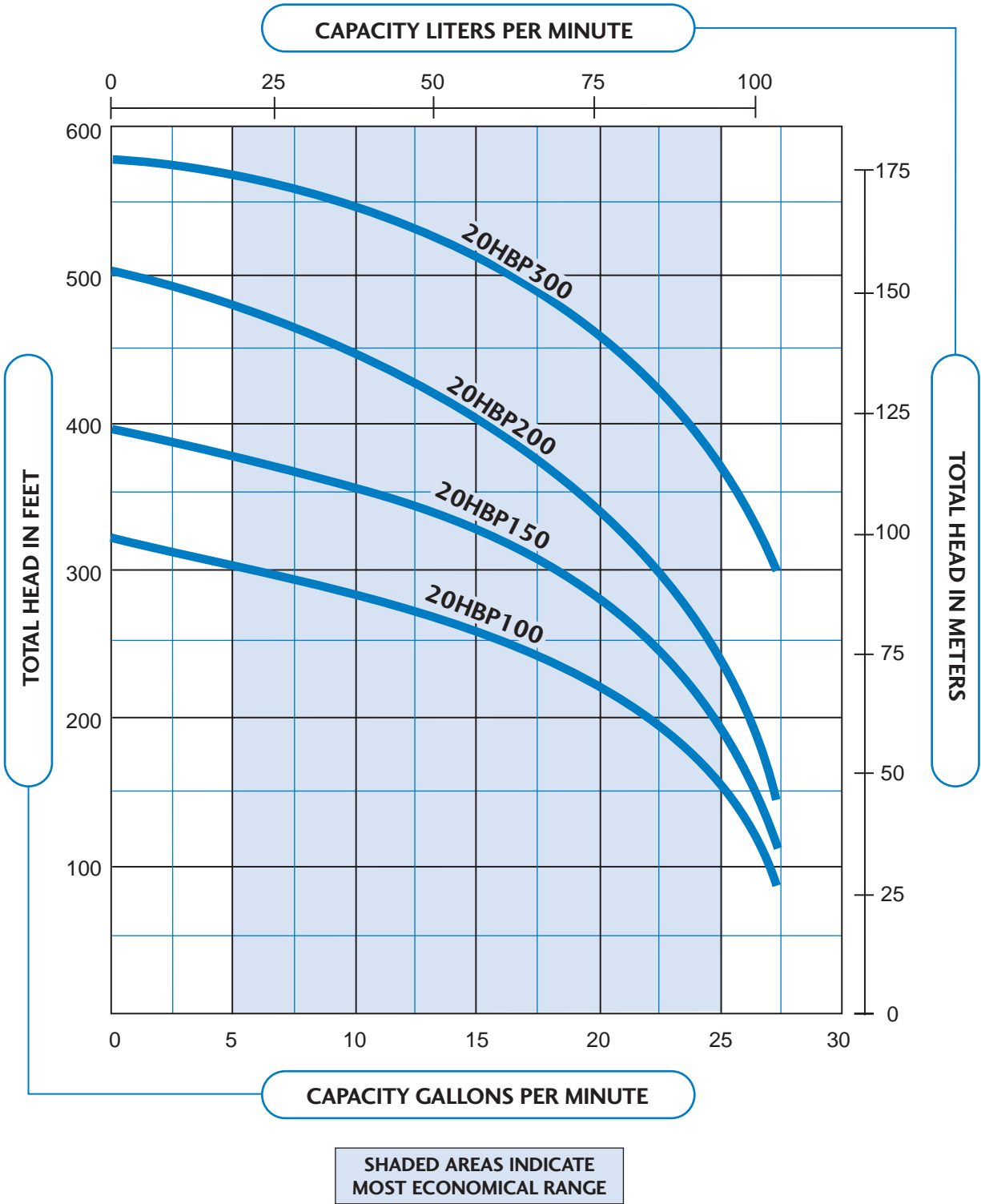
## HBP/HBPS series – 4" horizontal booster pumps

### 10 GPM pump performance



HBP/HBPS series – 4" horizontal booster pumps

20 GPM pump performance



## HBP/HBPS series – 4" horizontal booster pumps

### 30 GPM pump performance

